

VXXM 3.4

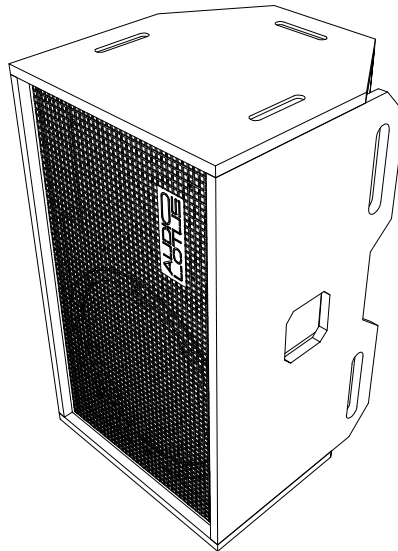
MID-HI LOUDSPEAKER SYSTEM

AUDIOS
LOTUS

VXM 3.4

Mid-Hi loudspeaker system

The VXM 3.4 is a very high output point source midtop enclosure from the VX series of loudspeakers by AudioLotus. This 3 way enclosure is specifically designed for very high resolution playback at high SPLs in nightclubs, bars, pubs, lounges, mobile DJ events, live bands etc. The mid high bandwidth is delivered through a horn loaded coaxial compression driver and the low mid section is delivered through a 15 inch LF driver. This unit is completely stackable on the VXS subs to produce very high SPLs of high resolution playback with ultra low distortion. The pairing with the VXS subs can form high resolution monitoring and side fills for events.



Technical specifications

Acoustical design - HF /MF

Acoustical design - LMF

HF driver

MF driver

LMF driver

HF driver power nominal / peak

MF driver power nominal / peak

MF driver power nominal / peak

HF Nominal impedance

MF Nominal impedance

LMF Nominal impedance

Axial sensitivity

Frequency response

Calculated maximum SPL output (half space)

Calculated peak SPL output (half space)

Accessories

Connectors

Enclosure

Finish

Dimensions

Weight

Shipping weight

Hornloaded

Bass reflex

1 inch

2 inch

15 inch

80 watts/320 watts

150 watts/1000 watts

400 watts/600 watts

8 ohms

8 ohms

8 ohms

103dB@2.83V/1m

50Hz to 18kHz +/-3dB

129dB@1m

135dB@1m

Top hat

Protective dolly with casters

Neutrik NL4 speakons- 4 nos

(2 in front, 2 behind)

Rectangular enclosure

manufactured from 16mm

marine plywood

Black textured paint

(custom colors available)

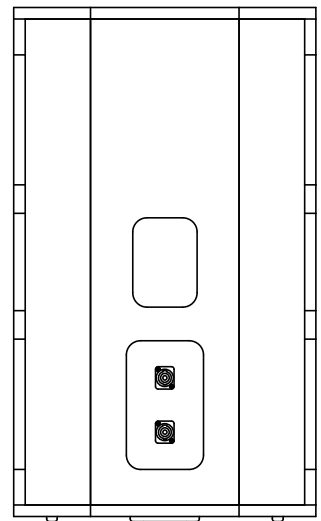
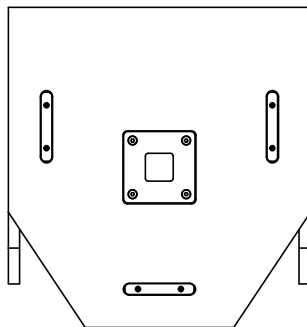
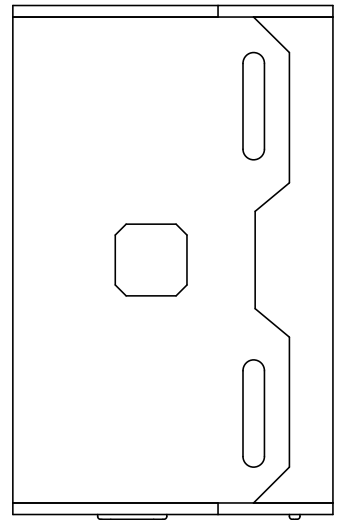
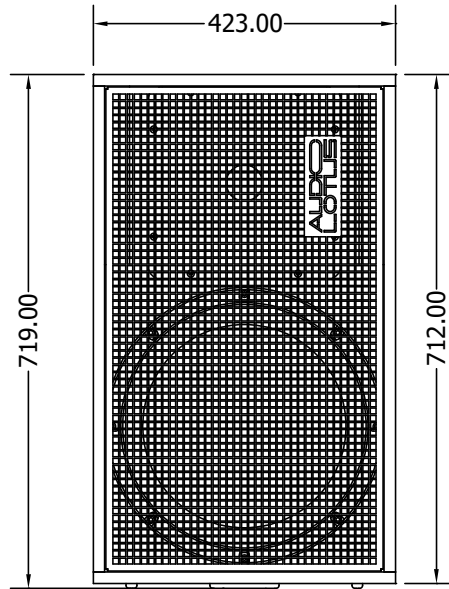
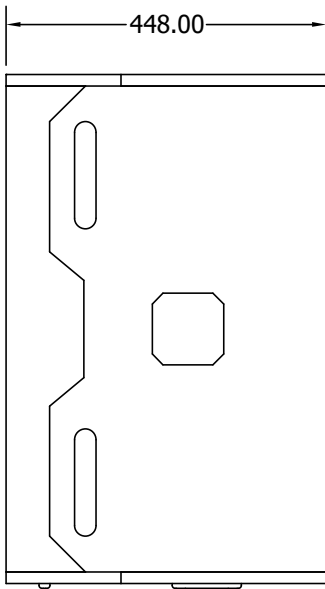
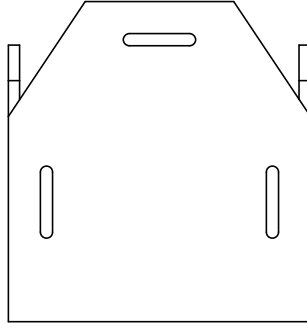
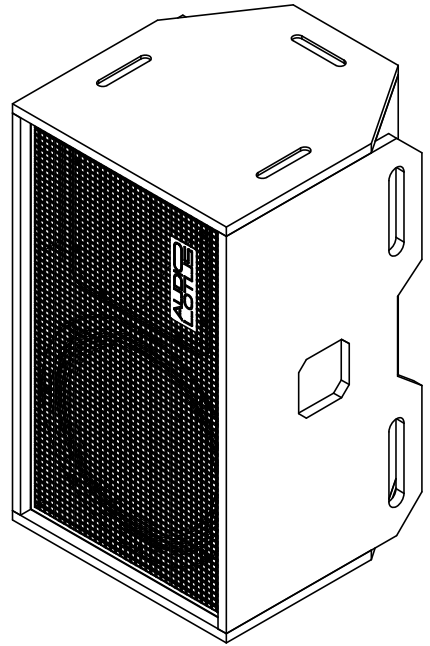
(HxWxD)

712mm x 423mm x 448mm

56kgs (124lbs)

60kgs (133lbs)

AUDIO
LOTUS



AUDIO
LOTUS

