

VXS 3.4

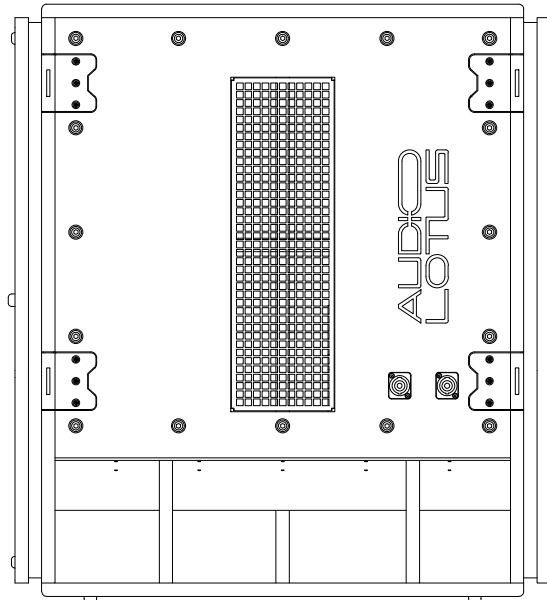
SUB BASS LOUDSPEAKER SYSTEM

AUDIO
LOTUS

VXS 3.4

Sub bass loudspeaker system

The VXS 3.4 is a high output modular sub bass loudspeaker. It has been specifically designed for use in nightclubs, bars, pubs, lounges, mobile DJ events, live bands etc. This design employs an 18 inch sub driver with a peak power of 3KW that is able to achieve very low frequencies from a compact enclosure. The VXS 3.4 has also been designed to operate in a cardioid pattern to achieve directivity in the sub/low bandwidth.



Technical specifications

Acoustical design

LF driver

LF power handling capacity - nominal AES

LF power handling capacity - continuous

Nominal impedance

Axial sensitivity

Frequency response

Calculated maximum SPL output (half space)

Calculated peak SPL output (half space)

Accessories

Connectors

Enclosure

Finish

Dimensions

Weight

Shipping weight

Bandpass design

18 inches

1500 watts

3000 watts

8 ohms

100dB@2.83V/1m

42Hz to 180Hz +/-3dB

28Hz -10dB

129.5dB@1m

135.5dB@1m

Top hat

Protective dolly with casters

Neutrik NL4 speakons- 4 nos

(2 in front, 2 behind)

Rectangular enclosure

manufactured from 16mm

marine plywood

Black textured paint

(custom colors available)

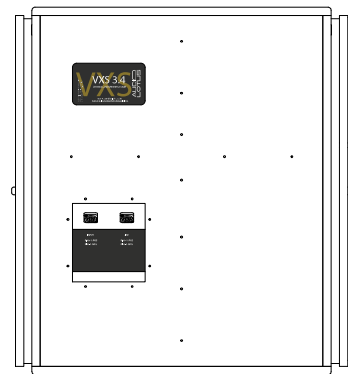
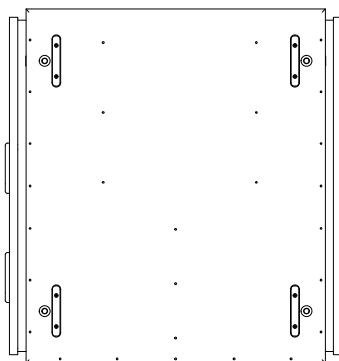
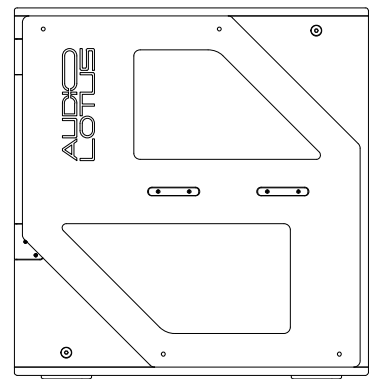
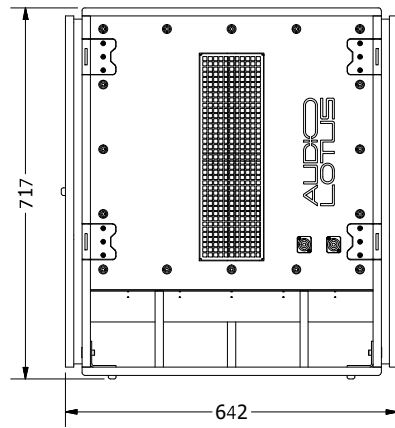
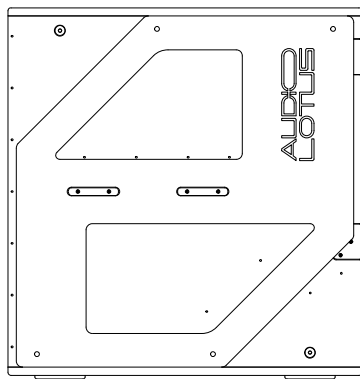
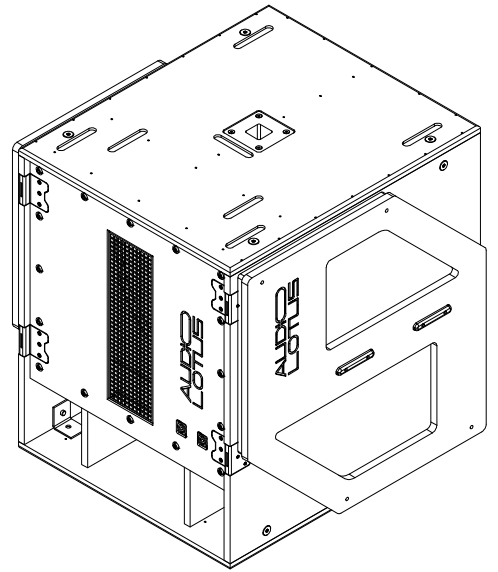
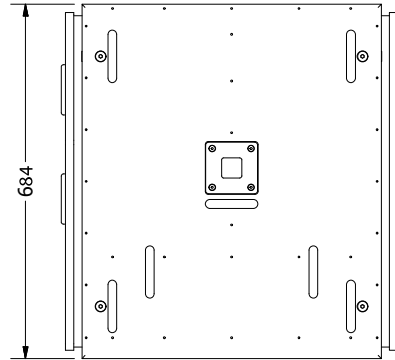
(HxWxD)

717mm x 642mm x 684mm

48kgs (106lbs)

52kgs (115lbs)

AUDIO
LOTUS



AUDIO
LOTUS

