

A118X

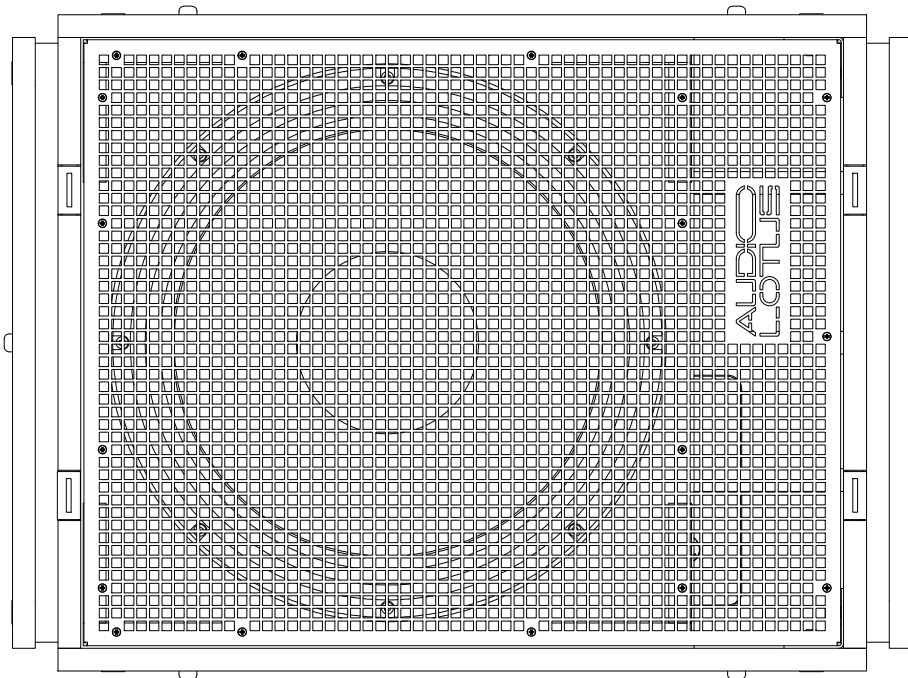
SUBWOOFER

AUDIOS
LOTUS

A118X

Subwoofer

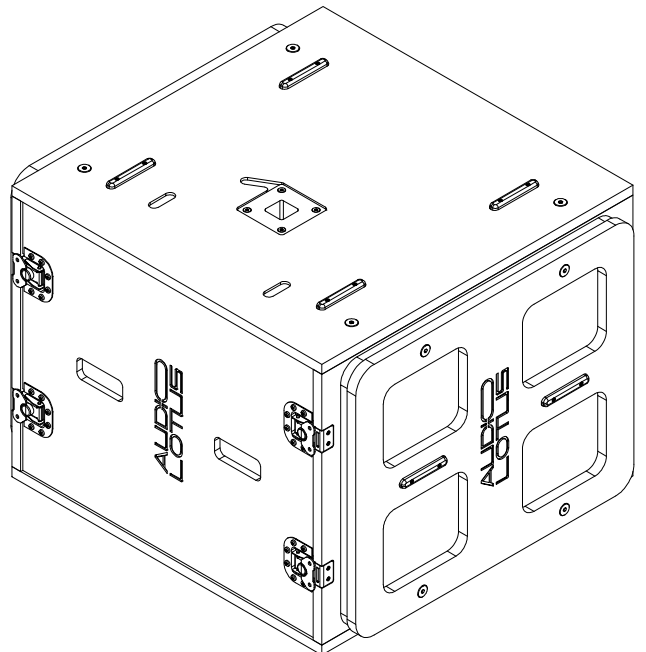
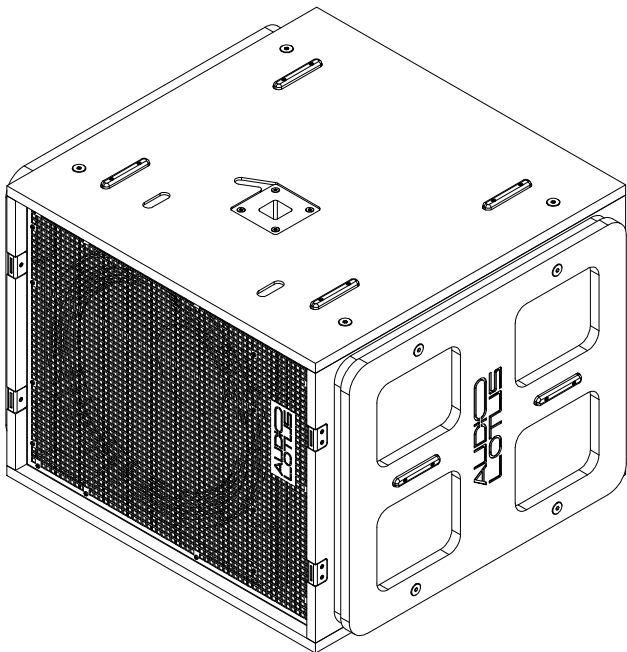
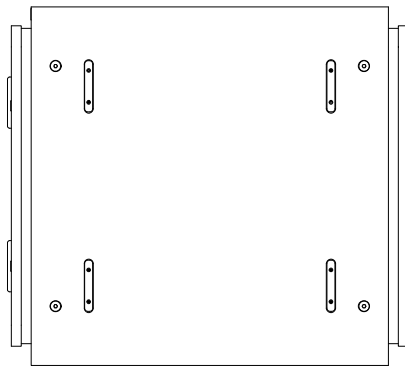
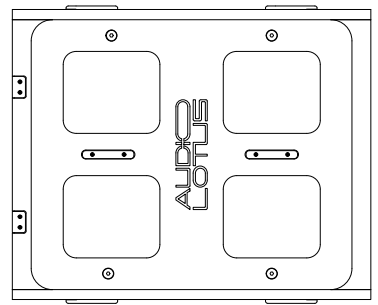
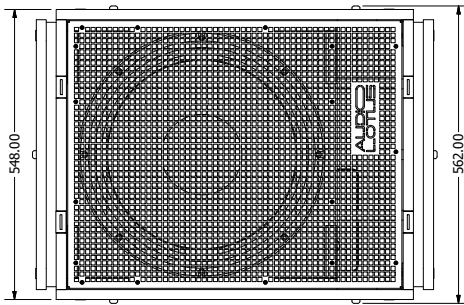
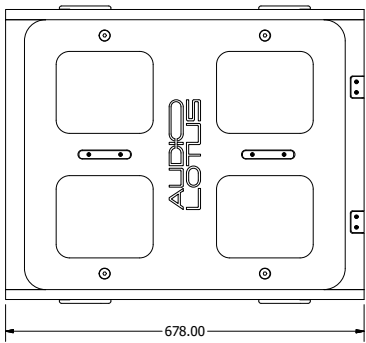
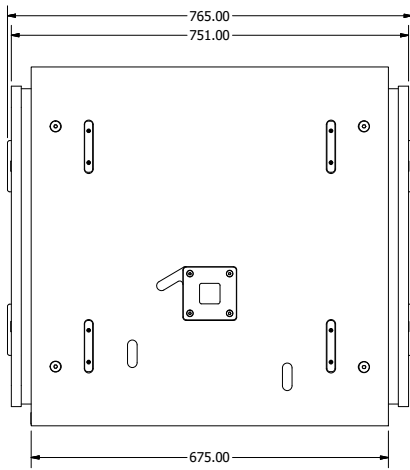
The A118X is a very high output single 18" sub bass loudspeaker. It has been specifically designed for use in nightclubs, mobile DJ events, live events etc. This enclosure employs an 18" ferrite driver with a peak power handling capacity of 3KW and 57mm peak to peak excursion to achieve very low frequencies from a compact enclosure.



Technical specifications

Acoustical design	Bass reflex / vented design
LF Driver size	18 inches
LF Power handling capacity - nominal AES	1500 watts
LF Power handling capacity - continuous	3000 watts
Nominal impedance	8 ohms
Axial Sensitivity	98dB@1w/1m
Frequency response	42Hz to 180Hz +/-3dB 28Hz -10dB
Calculated maximum SPL output (halfspace)	129.5dB@1m
Calculated peak SPL output (halfspace)	135.5dB@1m
Accessories	Top hat Protective dolly
Connectors	Neutrik NL4 x 2nos
Enclosure	Rectangular enclosure manufactured from 19mm marine plywood
Finish	Black textured paint (Custom colors available)
Dimensions	(HxWxD) 562mm x 765mm x 678mm
Weight	approximately 48kgs (105.8 lbs)
Shipping weight	approximately 52kgs (114.6lbs)

**All specifications subject to change without notice.*



AUDIO
LOTUS

AUDIO
LOTUS

www.audiolotus.in