

# A112X

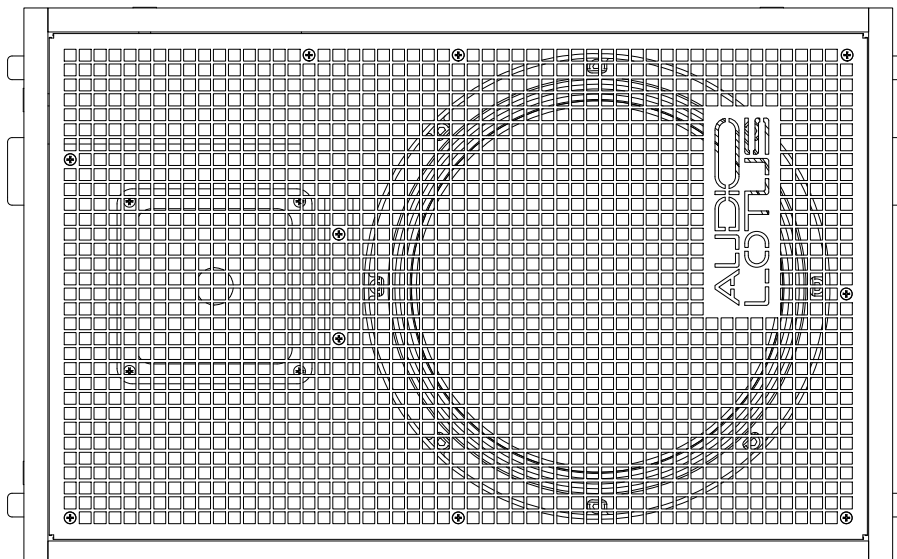
MIDTOP LOUDSPEAKER

AUDIOS  
LOTUS

# A112X

## Midtop Loudspeaker

The A112X is a high output small format midtop loudspeaker. It has been specifically designed for nightclubs and live events etc. This design employs a 1 inch ferrite HF driver for high frequencies and a 12 inch driver for mid and low frequencies. The 1 inch rotatable HF horn has been specially chosen for installations with low ceilings.



### Technical specifications

#### Acoustical design

HF Driver size

LF Driver size

HF Power handling capacity - nominal AES

HF Power handling capacity - peak

LF Power handling capacity - nominal AES

LF Power handling capacity - peak

Nominal impedance of the enclosure

Axial Sensitivity

Frequency response

Calculated maximum SPL output (halfspace)

Calculated peak SPL output (halfspace)

Internally switchable passive crossover @ 2.25kHz

Dispersion pattern (rotatable HF Horn)

Connectors

Enclosure

Finish

Mounting hardware

Dimensions

Weight

Shipping weight

All specifications subject to change without notice.

#### Bass reflex / vented design

1 inch

12 inches

60 watts

120 watts

650 watts

1300 watts

8 ohms

100dB@1w/1m

85Hz to 18Khz +/-3dB

65Hz to 20Khz -10dB

126dB@1m

132dB@1m

90x60 degrees

Neutrik NL4 x 2nos

Multiangular enclosure manufactured from 12mm marine plywood

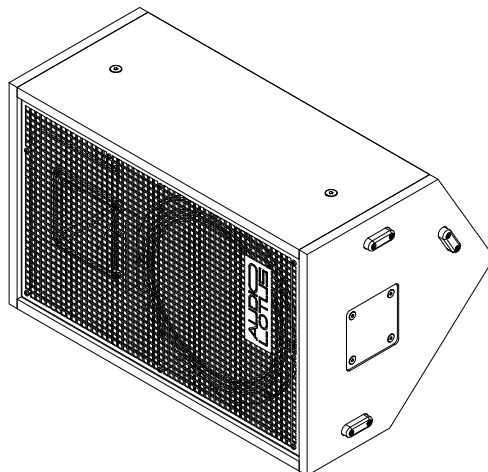
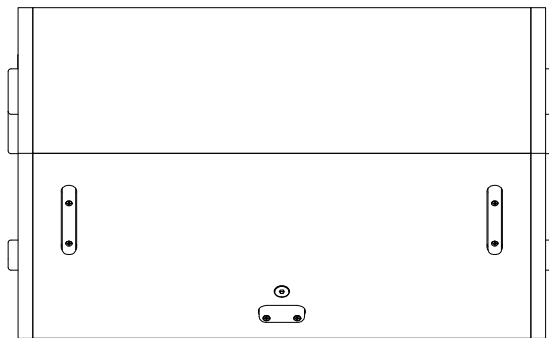
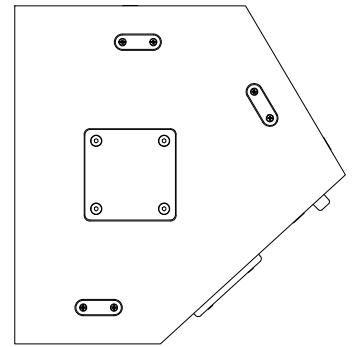
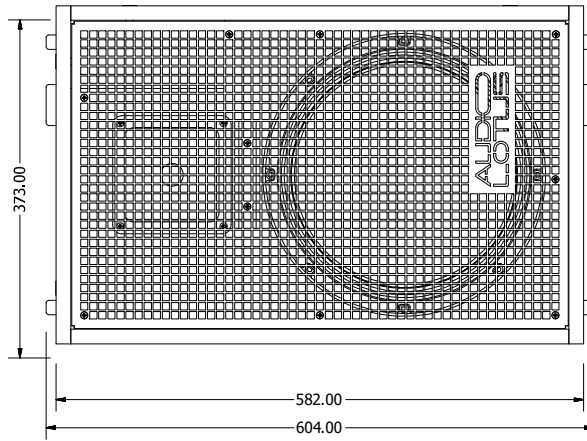
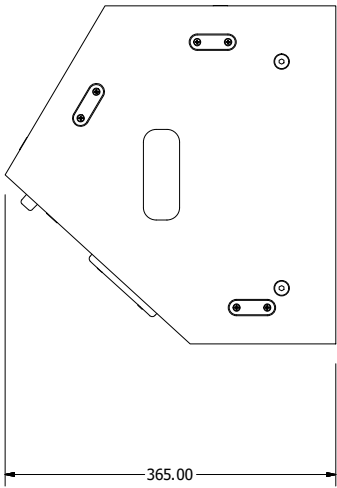
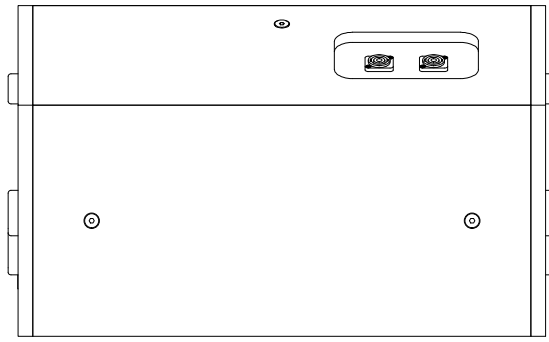
Black textured paint (Custom colors available)

available

(HxWxD) 373mm x 582mm x 365mm

approximately 22kgs (48.5lbs)

approximately 26kgs (57.3lbs)



AUDIO  
LOTUS

AUDIO  
LOTUS

[www.audiolotus.in](http://www.audiolotus.in)